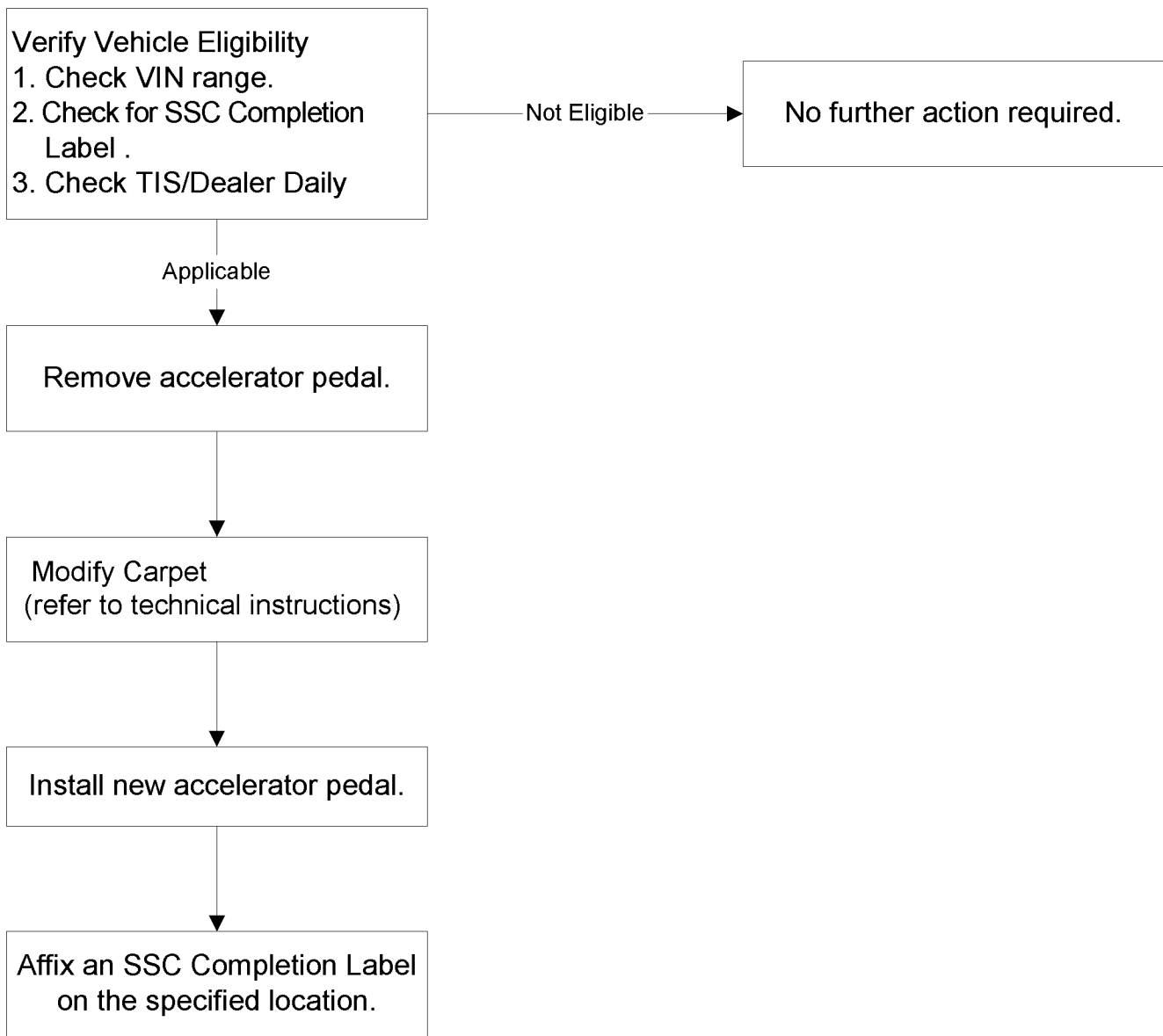


TECHNICAL INSTRUCTIONS

SSC 5LC

Early 2006 IS 250 AWD Accelerator Pedal

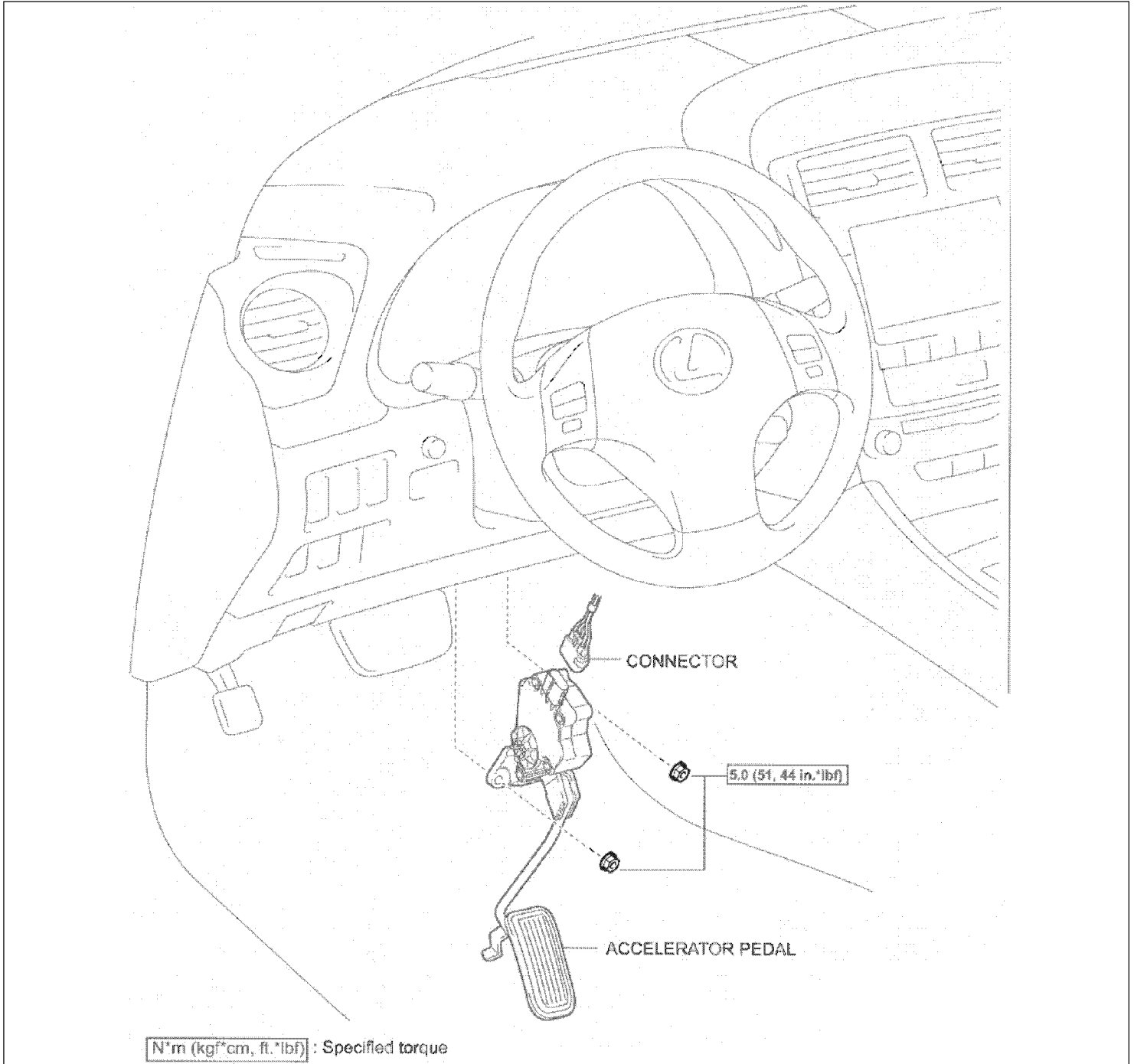
I. OPERATION FLOW CHART



II. AFFECTED VEHICLES

MODEL	YEAR	VIN Range	
		VDS	Range
IS 250 AWD	2006	CK262	2 [REDACTED] - 2 [REDACTED]
			5 [REDACTED] - 5 [REDACTED]

III. LOCATION OF COMPONENTS



IV. PREPARATION

A. TOOLS

- Basic Hand Tools

B. PARTS

Part Number.	Part Description	Qty/Vehicle
--------------	------------------	-------------

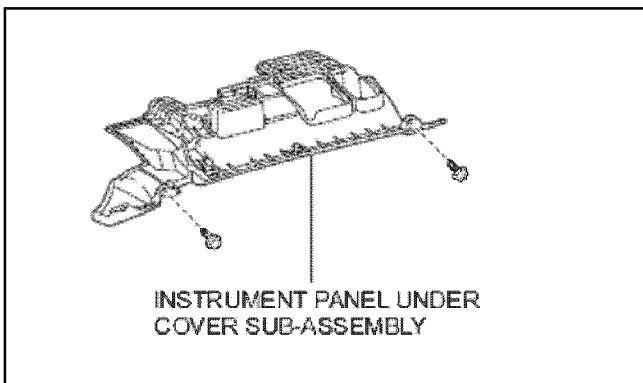
78110 - 53060	Pedal Assy., Accelerator	1
---------------	---------------------------------	---

V. BACKGROUND

In certain early 2006 Model Year Lexus IS 250 AWD vehicles there is a possibility that the accelerator pedal may temporarily become stuck in the partially depressed position due to inadequate clearance between the accelerator pedal linkage and a plastic pad embedded into the vehicle's carpet. This condition may interfere with the accelerator pedal returning to the idle position. This condition is caused by tolerance variations between the accelerator pedal linkage and a plastic pad embedded into the vehicle's carpet. In order assure adequate clearance, dealers will be requested to replace the accelerator pedal assembly and modify the vehicle's carpet as well as plastic pad embedded into the vehicle's carpet.

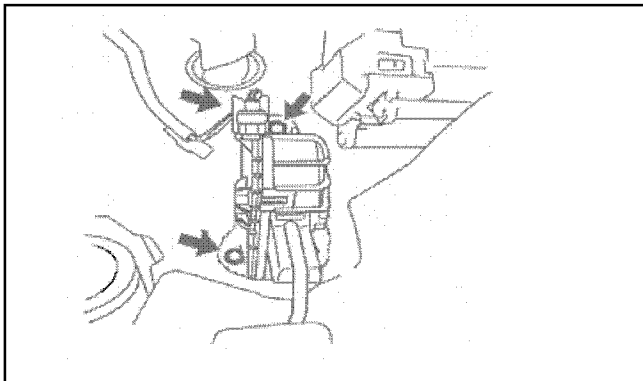
VI. WORK PROCEDURE

A. REPAIR PROCEDURE



1. REMOVE INSTRUMENT PANEL UNDER COVER SUB-ASSEMBLY

- (a) Remove two screws.
- (b) Lower the instrument panel under cover sub-assembly and disconnect the DLC connector and LED connector.
- (c) Remove the instrument panel under cover sub-assembly.



2. REMOVE ACCELERATOR PEDAL

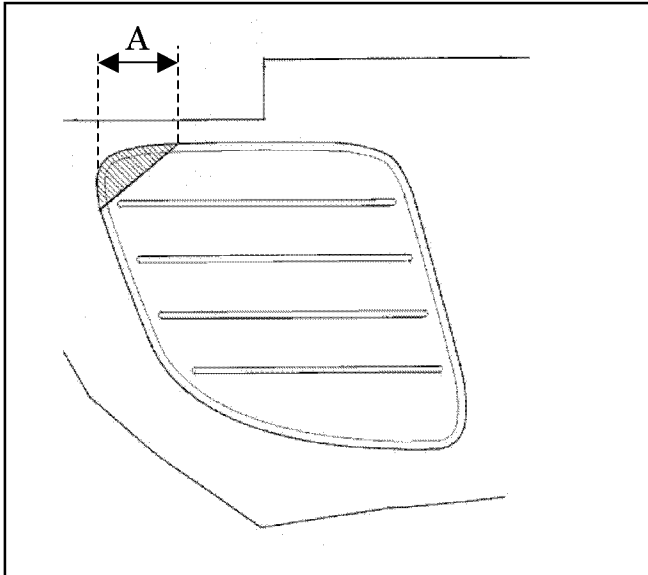
- (a) Disconnect the accelerator pedal position sensor connector.
- (b) Remove the 2 nuts and the accelerator pedal.



CARPET MODIFICATION PROCEDURES

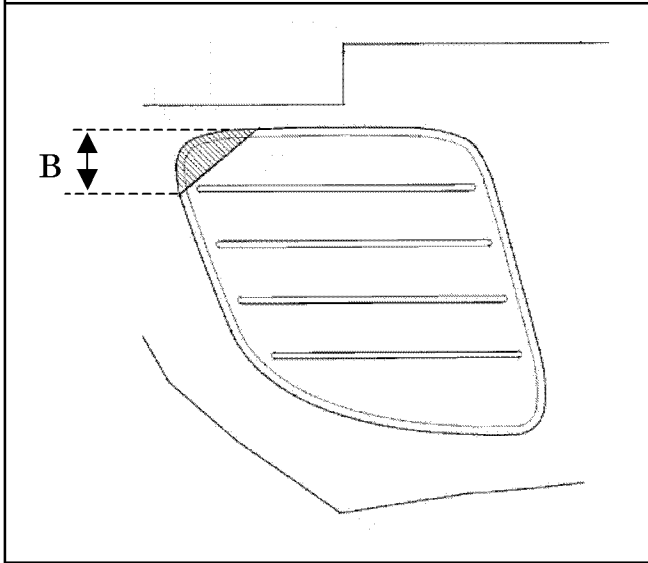
During this step in the procedure, please be careful of the following:

- Due to variations in the placement of the plastic pad in the carpet, there may be slight variations in the area where the modification will occur.
- The Parking Brake Cable is behind this area of the carpet, please make sure that you do not damage this cable during the carpet modification.
- A Styrofoam pad is also behind the carpet. Please take care not to cut this as well.
- Based upon the production date, the plastic pad location may be slightly lower.

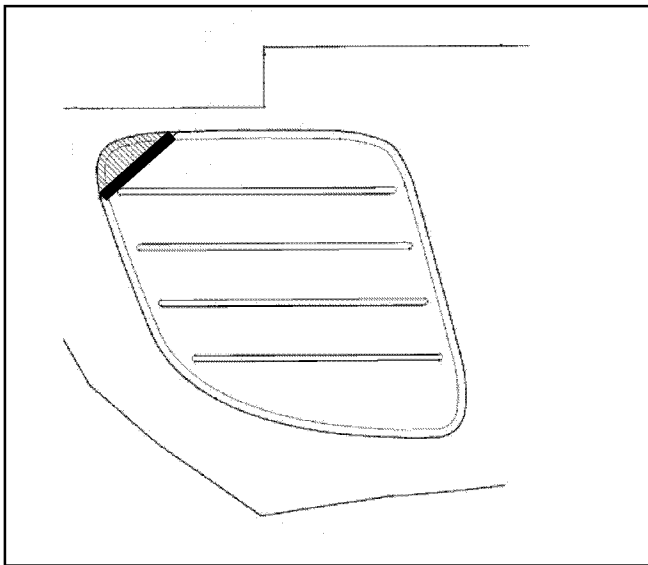


3. CARPET MODIFICATION

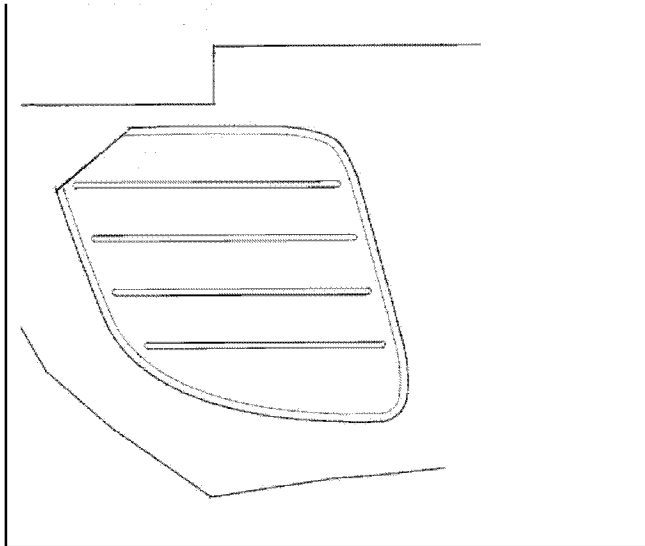
- (a) Using a ruler, measure **41mm (point A)** inward from the inside edge of the plastic pad and mark the location with a pencil.



- (b) Using the same ruler measure **33mm (point B)** down from the top edge of the plastic pad and mark the location with a pencil.



- (c) Using the pencil connect the two marks to create a line.

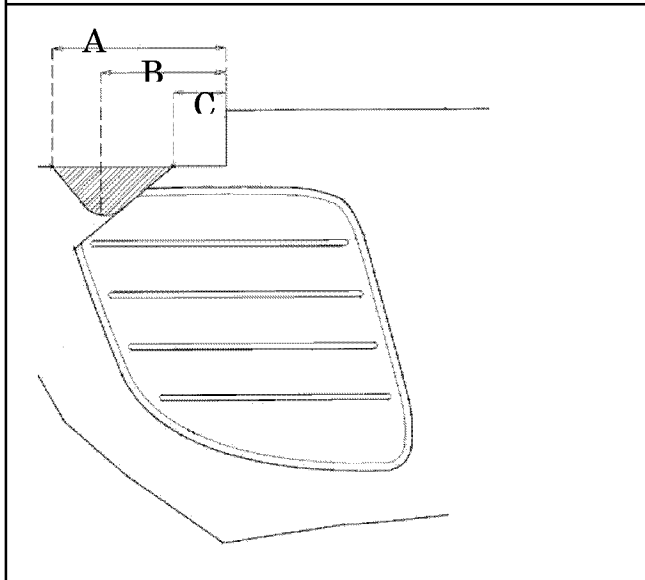


(d) Using a razor cut along the line to remove the upper inside corner of the plastic pad.

NOTE:

When cutting the plastic pad or the carpet, be aware of a Styrofoam pad behind the carpet. To avoid damage to the Styrofoam pad locate the two staples in the carpet behind the brake pedal and carefully pull the carpet and separate the Velcro that attaches the carpet to the Styrofoam.

The parking brake cable is located behind the carpet do not cut the cable.



(e) Using the razor cut the carpet as shown on the illustration..

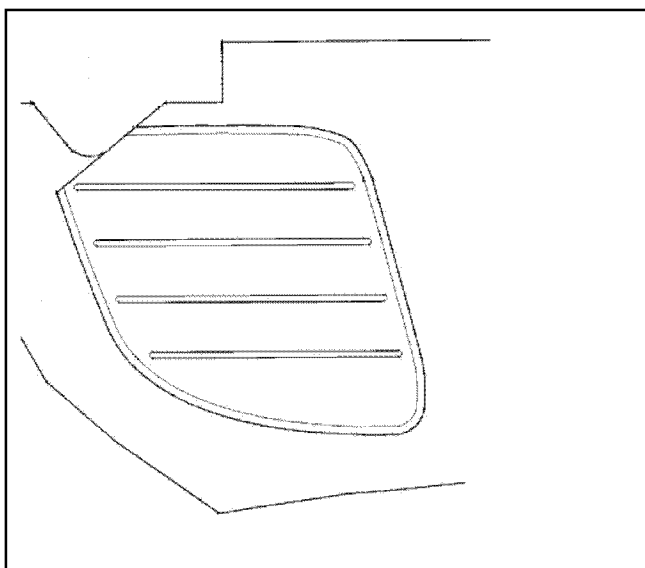
(f) Remove the sectioned area of the carpet and discard.

NOTE:

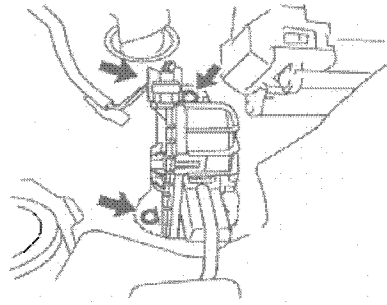
point A: 95 mm

point B: 68 mm (bottom portion of B: round cut)

point C: 29 mm



(g) This is what the finished product should look like.



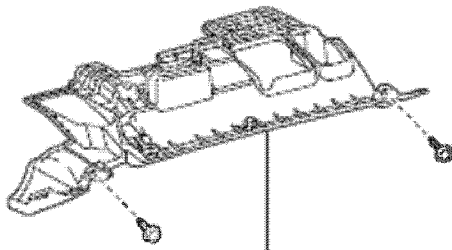
4. INSTALL NEW ACCELERATOR PEDAL

- (a) Install the accelerator pedal with the 2 nuts.
- (b) Reconnect the accelerator pedal position sensor.

Torque: 5 N·m (51 kgf·cm, 44 in·lbf)

NOTE:

Do not drop or disassemble the new accelerator pedal, doing so will damage the sensor.



**INSTRUMENT PANEL UNDER
COVER SUB-ASSEMBLY**

5. REINSTALL THE INSTRUMENT PANEL UNDER COVER SUB-ASSEMBLY

- (a) Connect DLC connector and LED connector to the instrument panel under cover sub-assembly.
- (b) Reinstall the instrument panel under cover sub-assembly and tighten the two screws.

6. VERIFY OPERATION OF ACCELERATOR PEDAL

- (a) Start vehicle and confirm proper operation of the accelerator pedal.

VI. COMPLETION LABEL INSTALLATION

After completing the pre-delivery activity, an SSC completion label, must be affixed to the left front door hinge post, near the check strap.

(a) The label is to be filled out as follows:

- Write in SSC 5LC.
- Write in date of repair.
- Write in your dealer code.

SSC	Date
DEALER CODE NO.	
00410-01917	

(b) Additional SSC completion labels, in sheets of 50 (P/N 00410-01917), may be ordered through the non-parts system on a 1450 order form or through the TDN system.